

**“ADCATROL” PNEUMATIC CONTROL VALVES  
PPV25I – ON-OFF (Complete stainless steel)**

**(DN 1/2” – 1”)**

**(V25I globe valves series with linear piston actuators PP series)**

**DESCRIPTION**

The PPV25I on-off valves are single seated, two-way body constructed with in-line straight connections. The PPI pneumatic actuator is of the piston type.

Their wide application ranges allows the use of this valve with the most common process fluids such as water, superheated water, steam, air, gas and other fluids.

**MAIN FEATURES**

Single seated, two ways, direct or reverse action valve.

Soft sealing as standard.

Actuator housing 360° rotation (clockwise).



<p><b>OPTIONS:</b> Air filter regulator Normally open and double effect version. Limit switch Pilot solenoid valve</p> <p><b>USE:</b> Saturated and superheated steam. Hot and superheated water. Air, gases and other noncorrosive fluids.</p> <p><b>AVAILABLE MODELS:</b> PPV25I - Stainless steel</p> <p><b>VALVE SIZES:</b> DN 1/2" to 1"</p> <p><b>CONNECTIONS</b> Threaded ISO or ANSI</p> <p><b>ACTUATORS:</b> PPI-63 ( Stainless steel )</p> <p><b>ACTUATOR CONN.:</b> G1/8"</p> <p><b>CONTROL SIGNAL:</b> 5 - 8 bar</p>	<p><b>VALVE LIMITING CONDITIONS:</b> Body design conditions: PN25 25 bar at 10/50°C 21 bar at 200°C 19,8 bar at 250°C 18,5 bar at 300°C Min.working temperature: -10°C</p> <p><b>MAX. AIR SUPPLY PRESSURE:</b> 8 bar</p> <p><b>AMBIENT TEMPERATURE:</b> -20°C ...+70°C</p> <p><b>BONNET :</b> From -5°C to +220°C (standard)</p> <p><b>STEM SEALING:</b> PTFE/GR V-Rings - up to 220°C (Standard bonnet)</p> <p><b>PLUG DESIGN:</b> PT - On-off</p> <p><b>PORT:</b> Full port as standard</p>
--	---

CE MARKING (PED - European Directive 97/23/EC)	
PN 25	Category
DN 1/2" to 1"	SEP - art. 3, paragraph3

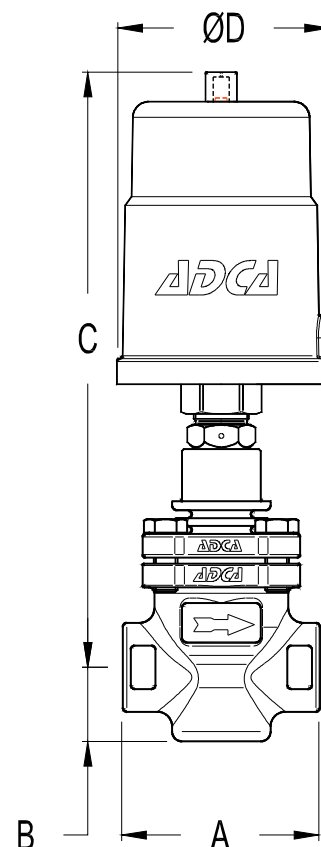
**MAX. PERMISSIBLE PRESS.DROP IN bar - Normally closed valve (fluid to open) - Reverse action actuator (air signal to open)**

ACTUATOR	SIZES		
	DN 1/2"	DN 3/4"	DN 1"
	Kvs 5,2	Kvs 7,3	Kvs 11,7
PPI-63	21	18	8
PPI-90	25	25	24

Kvs in m<sup>3</sup>/h , see data sheet IS PV10.00 E ;  
For conversion Kvs = Cv(US) x 0,855

**DIMENSIONS ( mm )**

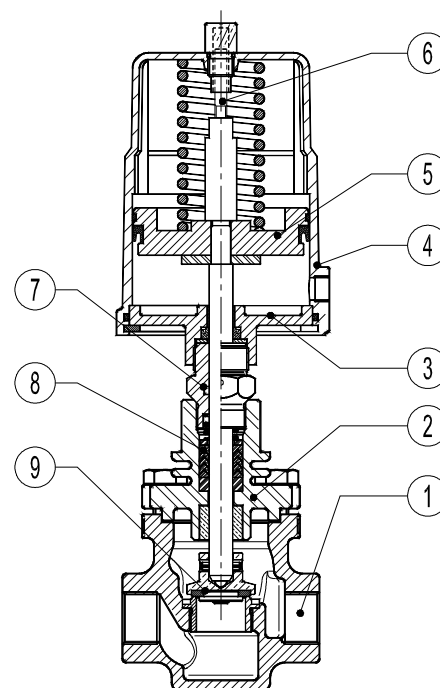
DN	A	B	C	Ø D	WEIGHT Kgs
1/2"	100	37,5	250	75	3,9
3/4"	100	37,5	250	75	3,9
1"	100	37,5	250	75	4,9



**MATERIALS**

POS.	DESIGNATION	MATERIAL
1	Valve Body	CF8M / 1.4408
2	Bonnet	CF8M / 1.4408
3	Actuator Flange	CF8 / 1.4308
4	Actuator Cover	CF8 / 1.4308
5	Piston	Aluminium
6	Indication Stem	Plastic
7	Gland Nut	AISI 316 / 1.4401
8	* Packing	PTFE / GR
9	* Valve Plug	1.4401 / PTFE-GR

\* Available spare parts





**ORDERING CODES PPV25I**

VALVE CODES		PPV	.25I				.X.		
<b>Group Designation</b>									
Pneumatic on-off valve		PPV							
<b>Valve Model</b>									
Two way straight design, stainless steel construction			.25I						
<b>Valve Plug</b>									
Soft (PTFE/GR) PT Type				1					
<b>Pipe Connection</b>									
Threaded BSP ISO 7/1 Rp					A				
Threaded NPT ANSI B1.20.1					C				
<b>Size</b>									
DN 1/2"						15			
DN 3/4"						20			
DN 1"						25			
<b>Fluid Direction</b>									
Normally closed valve, fluid enter above the seat							A		
Normally closed valve, fluid enter below the seat							B		
<b>Actuator</b>								(1)	
<b>Extras (3)</b>									E

ACTUATOR CODES ( pneumatic )		PI.			
<b>Group Designation</b>					
Piston linear actuator		PI.			
<b>Actuator Size</b>					
Piston pneumatic actuator PPI 63			.63		
Piston pneumatic actuator PPI 90					
<b>Actuator Type</b>					
Direct action (air to close)				.D	
Reverse action (air to open)				.R	
<b>Actuator Construction</b>					
Stainless steel					(2)

→ To be introduced on ".X.", if supplied in combination with the valve.

- (1)- Indicate actuator type.
- (2)- Omitted if the standard actuator is selected.
- (3)- To be used only when a non-standard combination valve is supplied