

LINEAR PNEUMATIC ACTUATORS PA205 – PA435

DESCRIPTION

Pneumatic multi-spring linear actuators PA series for modulating and open-close duty of a control and process technology to operate control valves.

MAIN FEATURES

Direct and reverse action actuators for maximum 45mm valve stroke.

Operation with compressed air, nitrogen or clean water.

OPTIONS: Limit switches
 Manual operating device
 Different kind of positioners
 Stainless steel construction

USE: Actuating of V series Adcatrol
 control valves or others on request.

AIR SUPPLY: Max. 3,5 bar

CONNECTION: DN 1/4"

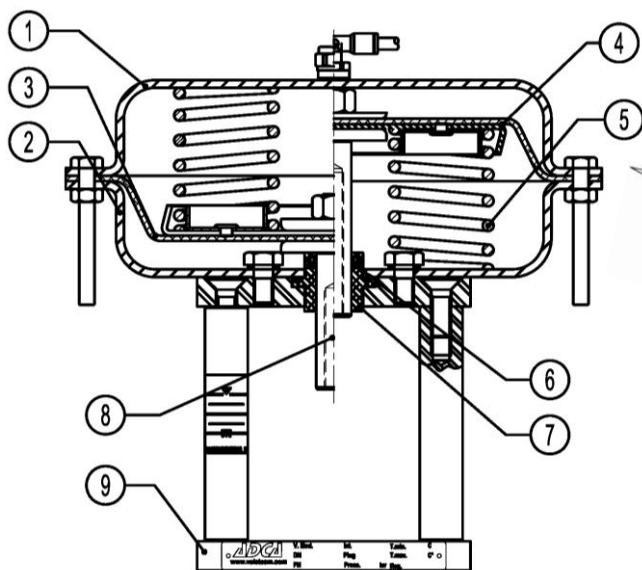
AVAILABLE
MODELS: PA205, PA280, PA340, PA435

MAX.AMBIENT
TEMPERATURE: -20 °C to 80 °C

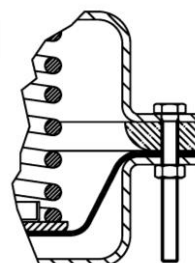


PA205 – PA435

RA- Reverse action DA – Direct action

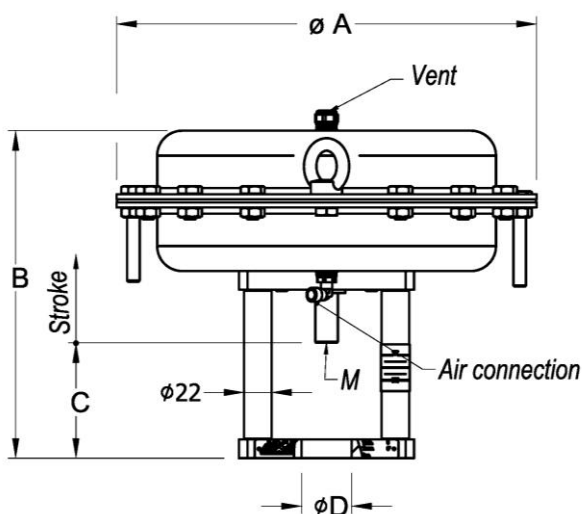
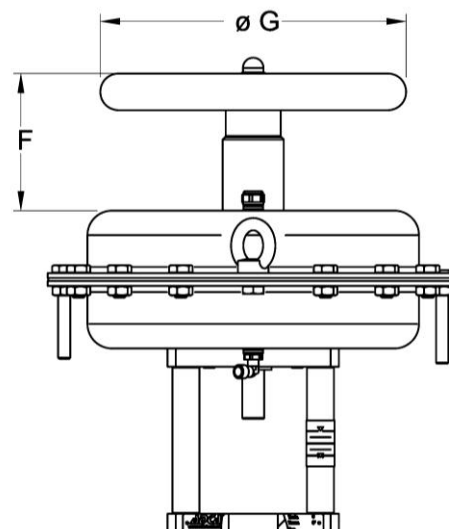


PA 435B (0,4 – 2,5 bar)



MATERIALS		
POS.	DESIGNATION	MATERIAL
1	Body (Steel)	S235JRG2 / 1.0038
	Body (Stainless steel)	AISI 304 / 1.4301
2	Body (Steel)	S235JRG2 / 1.0038
	Body (Stainless steel)	AISI 304 / 1.4301
3	*Diaphragm	NBR 70
4	Diaphragm plate	S235JRG2 / 1.0038
5	Spring	Spring steel
6	*Seal ring	NBR
7	Guide	Nylon
8	Rod	AISI316 / 1.4401
9	Yoke (Steel)	C45E / 1.1191
9	Yoke (Stainless steel)	AISI 304 / 1.4301

* Available spare parts



DIMENSIONS (mm)						
DIMENSIONS	ACTUATOR MODEL					
	PA205	PA280	PA340A	PA340B	PA435A	PA435B
Ø A	210	275	335	335	430	430
B	235	245	265	265	295	315
C	92	92	82	92	72	82
Ø D	40	40	40	45	40	45
M	M10	M10	M10	M10	M10	M10
Ø G	250	250	350	350	350	350
F	100	100	110	110	120	140
STROKE (mm)	20	20	20	30	40	45
WEIGHT (Kgs)	6	10	15	15	25	27