

## “ADCATROL” OVERFLOW VALVE (By-pass valve) OVF-40

### DESCRIPTION

The OVF-40 overflow (by-pass) valves are single seated, two-way body constructed with in-line straight connections. The valve plug opens against outside regulating spring when the pre-selected differential pressure on the valve rises.

### MAIN FEATURES

Stainless steel bellows sealed  
Valve top flange permanently attached to the body, removal is unnecessary for replacing the spring.  
Metal to metal sealing as standard.

**OPTIONS:** Soft sealing and stellite seat and plug.

**USE:** Diathermic heat transfer oil and other fluids compatible with the construction

**AVAILABLE MODELS:** OVF40S  
OVF40I

**VALVE SIZES:** DN25 to DN100

**CONNECTIONS:** Flanged EN1092-2 - PN40

**STEM SEALING:** Stainless steel bellows

**PLUG CHARACT.:** PL - Linear

**PLUG DESIGN :** V-ported

**PORT :** Full port as standard

**OPENING PRESSURE:** 1 - 4 bar



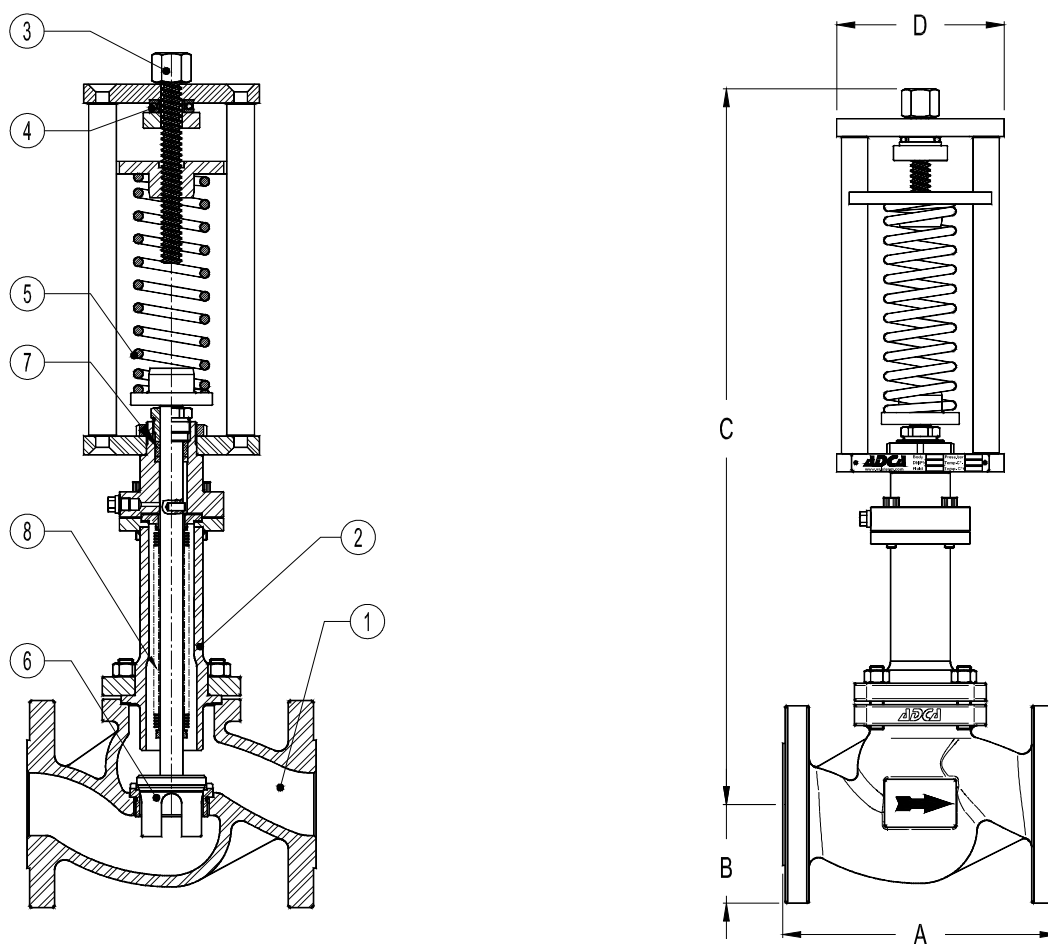
CE MARKING (PED - European Directive 97/23/EC)			
PN 16	PN 25	PN 40	Category
DN15 to DN50	DN15 to DN40	DN15 to DN32	SEP - art. 3, paragraph3
DN65 to DN100	DN50 to DN100	DN40 to DN80	1 (CE Marked)
--	--	DN100	2 (CE Marked)

VALVE BODY LIMITING CONDITIONS OVF-40S - PN40 *		VALVE BODY LIMITING CONDITIONS OVF40I - PN40 *	
ALLOWABLE PRESSURES	RELATED TEMPERATURE	ALLOWABLE PRESSURES	RELATED TEMPERATURE
40 bar	-10 /50 °C	40 bar	-10 /50 °C
33,3 bar	200 °C	33,7 bar	200 °C
27,6 bar	300 °C	29,7 bar	300 °C
25,7 bar	350 °C	28,5 bar	350 °C
23,8 bar	400 °C	27,4 bar	400 °C

\* Rating according to EN1092.1:2007

MATERIALS			
POS.	DESIGNATION	MATERIAL OVF40S	MATERIAL OVF40I
1	Valve Body	ASTM A216WCB / 1.0619	CF8M / 1.4408
2	Bonnet	CF8 / 1.4308	CF8 / 1.4308
3	Adjusting nut	Steel 5	Steel 5
4	Bearing	Steel	Steel
5	*Spring	AISI 301 / 1.4310	AISI 301 / 1.4310
6	Trim	Stainless steel	Stainless steel
7	*Standard packing	Graphite	Graphite
8	*Metal bellows	AISI316Ti / 1.4571	AISI316Ti / 1.4571

\* Available spare parts



DIMENSIONS				
DN	A (mm)	B (mm)	C (mm)	D (mm)
25	160	58	485	140
32	180	70	495	140
40	200	75	505	140
50	230	83	570	140
65	290	93	660	140
80	310	100	675	140
100	350	118	685	140

FLOW RATE COEFFICIENTS							
	DN25	DN32	DN40	DN50	DN65	DN80	DN100
<b>Kvs</b>	9,4	15,4	22,2	40,1	63,4	89,7	136,7

Kvs in m<sup>3</sup>/h , see data sheet IS PV10.00 E ; For conversion Kvs = Cv(US) x 0,855

VALVE STROKE IN mm							
	DN25	DN32	DN40	DN50	DN65	DN80	DN100
<b>Stroke</b>	20	20	20	20	30	30	30