

Technical data sheet

Mini ball valves

Ball valves

Applications and special features



- They can be used on all types of installations from heating systems, home water installations to heavy duty industrial applications at high pressure and temperature.
- Standard passage

Technical description

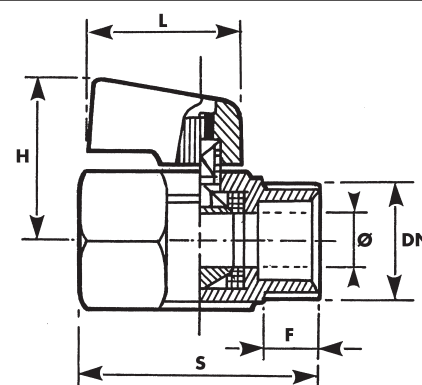
DN	PFA (bar)		References	Vvs-nr
	"	mm		
1/4	8	16	149B 5368	
3/8	10	16	149B 5369	
1/2	15	16	149B 5370	

- **Connection** : Male/female, BSP thread
- **Permissible operating pressure PFA - water-** (for supply, distribution and disposal of water) : See table
- **T°** : Mini. 0 °C
Maxi. 90 °C
- **Mediums** : Water and compatible fluids
- **Approvals** : ACS (France)
- **International construction Standards** :
Thread connection according to NFE 03-005 ISO 228

Overall dimensions

DN	∅	F	S	H	L	Weight
"	mm	mm	mm	mm	mm	kg
1/4	8	9	40	26	30	0,06
3/8	8	9	40	26	30	0,07
1/2	10	11	45	28	30	0,10

Description	Materials	EURO	ANSI
CASING	Brass		
BALL	Hard chrome-plated brass		
SEALS	PTFE		
HANDLVER	PA 66 (polyamid)		



Danfoss can accept no responsibility for possible errors in catalogue, brochures and other printed material. Danfoss reserve the right to alter its products without notice. This also applies to products already agreed. All trademarks in this material are the property of the respective companies. Danfoss and the logo type are trademarks of Danfoss A/S. All right reserved.



Danfoss Socla

365 rue du lieutenant Putier
71530 VIREY LE GRAND
Postal address : BP273
71107 CHALON SUR SAONE Cedex

Tel : 33 3 85 97 42 52
Fax : 33 3 85 97 97 42
<http://www.danfoss-socla.com>
e-mail: commer@danfoss.com