



## DP200 Series Graphical Terminals

### Introduction

The Sauer-Danfoss DP200 series of PLUS+1 compliant graphical terminals provide high quality, cost effective performance solutions to fit the needs of today's mobile machines.

The DP200 series of graphical displays feature robust mechanical, electrical and ingress protection specifications that meet the demands of mobile machine operation.

Large function-programmable buttons provide tactile feedback. The high resolution display is viewable in a wide range of lighting conditions. Backlight and contrast settings are adjustable.

Modern industrial design makes the DP200 series graphical terminal suitable for installation in open and enclosed cabs.



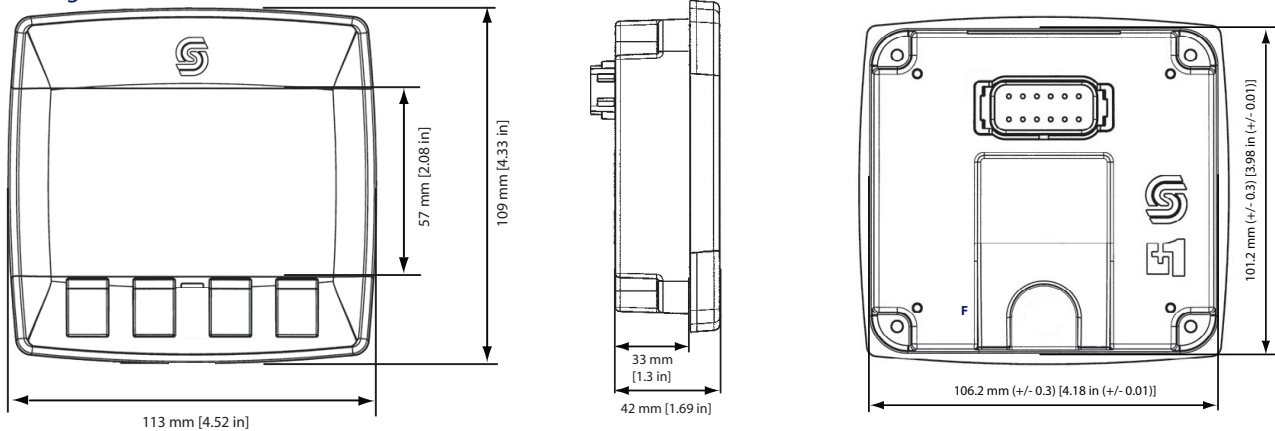
*DP200 Series Graphical Terminal*

### Features (Model Dependent):

- High resolution grayscale LCD display
- 4 programmable soft keys
- 2 red, 2 green software controlled LEDs
- 2 CAN 2.0B ports
- 1 fixed-range analog input
- 4 digital/analog inputs
- 2 digital/analog/frequency/current/ rheostat inputs
- 1 (0.5A) digital output
- Real time clock
- PLUS+1™ GUIDE programmable
- J1939 engine monitor software package (requires application key)
- Rugged IP 67 rating class housing
- Integrated Deutsch™ connector
- Extended temperature performance range
- CE and E marked
- Mounting hardware and panel seal gasket included

Local Address:

## Housing Dimensions



## DP200 Series Model Code

### A Model Name

<b>DP200</b>	Graphical Display, IP 67 above panel
--------------	--------------------------------------

### B Inputs/Outputs

<b>00</b>	1 CAN port, 2 DIN/AIN
<b>01</b>	1 CAN port, 6 DIN/AIN
<b>04</b>	2 CAN ports, 2 DIN/AIN

### Real Time Clock/ Low Temperature Functionality

<b>00</b>	No RTC, No LTF
<b>01</b>	RTC and LTF

### D Flash Memory/Application Key

<b>02</b>	2MB without Application Key
<b>03</b>	2MB with Application Key

### E Application Log

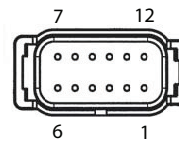
<b>00</b>	None
<b>04</b>	4 MB

### F USB Port Type

<b>00</b>	None
<b>01</b>	USB Device

## DP200 Series Product Parameters

DP200 Series	
<b>Processor</b>	ARM 7 core, 32 bit/ 60 MHz
<b>RAM</b>	64KB on-chip, 512KB on board
<b>FRAM</b>	16 KB
<b>Power Supply</b>	9-63 Vdc/6.5 Watts
<b>Connector</b>	Deutsch DTM-12
<b>Type</b>	LCD with 32 grayscale levels
<b>Resolution</b>	160 x 240 pixels
<b>Viewable Area</b>	80 mm x 55 mm [3.15 x 2.16]
<b>IP Rating</b>	IP67
<b>Operation Temperature</b>	Code C00: -20 °C — +70°C [-4°F — +158°F] Code C01: -40 °C — +70°C [-40°F — +158°F]
<b>Storage Temperature</b>	-40 °C — +85°C [-40°F — +176°F]
<b>Weight</b>	250 g [0.5 lb]
<b>Vibration/Shock</b>	3g/ 50g
<b>EMC/ESD</b>	100V/m / 15kV
<b>Digital Output (0.5A)</b>	1



Use care when wiring mating connector. Diagram shows device pins.

## DP200 Series pin assignments

		Code B 00	Code B 01	Code B 04
<b>1</b>	Power ground-			
<b>2</b>	Power supply+			
<b>3</b>	CAN 0+			
<b>4</b>	CAN 0-			
<b>5</b>	AIN/ CAN Shield			
<b>6</b>	See Code B option	NC	DIN/AIN	NC
<b>7</b>	See Code B option	NC	DIN/AIN	NC
<b>8</b>	See Code B option	NC	DIN/AIN	CAN 1+
<b>9</b>	See Code B option	NC	DIN/AIN	CAN 1-
<b>10</b>	DIN/AIN/FREQ IN/ CURRENT IN			
<b>11</b>	DIN/AIN/FREQ IN/ CURRENT IN			
<b>12</b>	DOUT (0.5A)			

## DP200 Series Available Models

<b>DP200-00-00-02-00-00</b>	10107021
<b>DP200-00-01-03-00-00</b>	10107380
<b>DP200-01-01-02-00-00</b>	10106883
<b>DP200-01-01-03-00-00</b>	10107381
<b>DP200-04-01-02-00-00</b>	10107022
<b>DP200-04-01-03-00-00</b>	10107382

## DP200 Series Related Products Part Numbers

<b>Deutsch Mating Connector Bag Assembly (16-20 AWG)</b>	10102025
<b>Deutsch Mating Connector Bag Assembly (20-24 AWG)</b>	10100944
<b>DP200 Mounting Hardware Replacement Kit</b>	10107354
<b>PLUS+1 GUIDE Single User License</b>	10101000
<b>DP200 Panel Seal Replacement Gasket- Black</b>	10107631
<b>DP200 Panel Seal Replacement Gasket- Red</b>	10107630

Comprehensive technical information: DP2XX Series Graphical Terminals Technical Information, 11023625  
Sauer-Danfoss product literature is online at [www.sauer-danfoss.com](http://www.sauer-danfoss.com)