

Oil and bio-oil burners



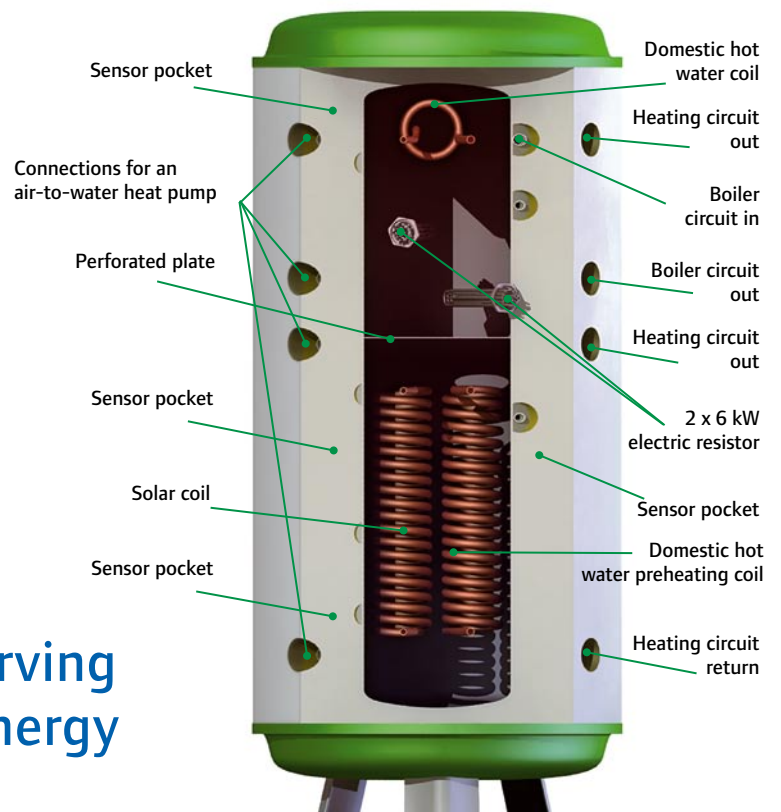
Tomorrow's heating technology
for your home today

Oilpro



Oil heating – tested and proven technology

Oil heating continues to be popular today due to its ease of use and reliability. Oilon's efficient and reliable heating solutions have for decades diligently served Finnish home owners. Even now, Oilon heating systems are keeping more than 200,000 Finnish homes warm and cosy. Beside oil-fuelled technology, Oilon is now introducing a hybrid system that is easy both on your wallet and the environment.



Oilon hybrid accumulator tank

Hybrid heating – conserving the environment and energy

The heart of Oilon's hybrid heating system is the versatile energy accumulator tank that allows for the combination of various forms of heating. The accumulator tank can store energy acquired from solar collectors as well as from air-to-water heat pumps or ground source heat pumps. During periods of peak consumption additional energy can be obtained from heating systems using bio-oil/oil, bio-gas/natural gas, pellets or wood or from the standard electric heating element in the accumulator tank.

Model	Volume	Diameter mm	Height mm
GEOAWB330	330 litres	680	2050
GEOAWB500	500 litres	800	2050
GEOAWB700	750 litres	950	2100
GEOAWB1000	1000 litres	1050	2100



Oilpro 3 L burner: a durable solution for years to come

Comfortable and carefree –
for a sustainable heating solution
compatible with future biofuels as
well as complementary sources of energy.



Compared with conventional burner technology, Oilpro 3 L, developed by Oilon, provides superior efficiency and minimal emissions. The developers took pains to provide versatile adjustment possibilities, as a result of which the burner provides even better possibilities for using various bio-oils and oil grades, both now and in the future. The versatility of adjustment features also provides excellent emission levels and efficiency ratings.

Economy

Oilpro 3 L is an advanced burner equipped with an adjustable combustion head and designed for the heating of single-family homes. Thanks to the new adjustable combustion head and excellent air flow regulation, Oilpro 3 L provides a high efficiency rating and excellent combustion properties. The self-closing air flap automatically closes when the burner is not operating, stopping the air flow and allowing the burner to maintain its high temperature as long a time as possible.

Reliability

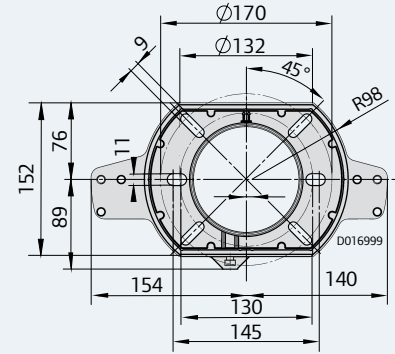
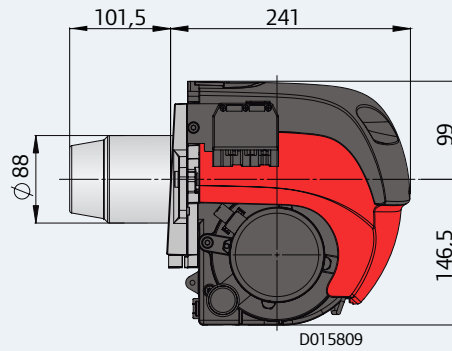
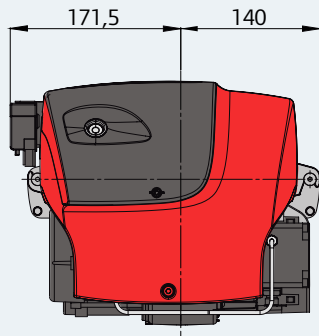
The Oilon burner is manufactured in Finland from high-quality components of maximum reliability. The modern components also minimise the burner's electricity consumption. The design reflects the harsh Nordic climate. Every single burner is inspected and tested at the factory before its delivery.

Easy on the eye

The Oilon burners' modern and stylish form reflects the best of Scandinavian design. The protective covers make the maintenance and cleaning of the burner easy.

Bio-oils – fuels for the future

Various bio-oils will soon enter the markets. The technology to utilise them is already provided by Oilon 3 L. Thanks to its adjustable combustion head and versatile adjustment possibilities, the Oilpro 3 L burner makes possible the use of various bio-oils, now and in the future.



Technical data

Oilpro 3 L

Supply voltage	230 VAC (-15 %...+10 %) 50 Hz 1-phase
Power consumption	220 W
Max. current	1,0 A
Capacity range	15 - 30 kW
Fuel viscosity	4 - 6 mm ² /s (cSt) at +20 °C
Surrounding temperature	0...+35 °C
Incoming oil temperature	+8...+ 40 °C
Motor power rating	90 W
Preheater capacity	30 - 110 W
Burner control system	Digital
Oil pump pressure	700 - 1500 kPa (7-15 bar), factory setting approx. 10 bar
Protection class	IP 20
Noise level	60 - 64 dBA
NO _x emissions	Class 2 (EN 267)
Nozzle type (standard)	60 ° full cone
Weight	8,6 kg

Oilon Plus filter and de-aerator unit

We always recommend installing an Oilon Plus filter and de-aerator unit in your heating system. It converts an old two-pipe system into a one-pipe configuration and helps to avoid any environmental damage resulting from a broken return pipe. Furthermore, de-aeration guarantees a steady combustion rate, which saves your burner, eliminates malfunctions and reduces the need for maintenance.



oilon[®]

www.oilon.com

OILON HOME OY P.O. Box 5, FI-15801 Lahti
 Visiting address: Tarmontie 4, FI-15860 Hollola
 Tel. +358 3 85 761, fax +358 3 857 6239, info@oilon.com