



TTP 200...500 Technical Datasheet

Temperature sensors (TTP 200, TTP 300, TTP 400) and surface temperature sensors (TTP 500)

- Sensor made entirely of stainless steel
- Short response time (3 mm / 0.1" sensor tip)
- Hygienic, maintenance-free installation

Temperature sensor in stainless steel

The sensors of the **TTP** series are primarily used in hygienic areas such as food technology and pharmaceuticals.

With regard to installation, a distinction is made between devices with a defined insertion depth (**TTP 200** and **300**), penetration temperature sensors with a variable insertion depth (**TTP 400**) and surface temperature sensors (**TTP 500**). The latter are used where an insertion type sensor is not possible.

The sensor tip is spring loaded ensuring a tight connection with the weld-in sleeve, mounted flush in the tank wall. Anywhere that for process reasons a built-in sensor cannot be used. The sensor tip is spring loaded ensuring a tight connection with the weld-in sleeve, mounted flush in the tank wall.

Fast response sensor tips enable quick measurement of process temperatures. Standard DIN A single or double elements connected via 2, 3 or 4 wires can be supplied according to customer wishes.

Special process connections allow hygienic installation; these are screwed to the sensors without gaskets, and thus maintenance-free. See also the additional data sheet "Hygienic accessories".



- ① TTP 200
- ② TTP 300
- ③ TTP 400
- ④ TTP 500

Highlights

- Pt100 sensor, Class A
- Gasket-free, and thus maintenance-free
- Sensor tip in 6, 4 or 3 mm / 0.2", 0.16" or 0.1"
- Double sensor element (Pt100, optional)
- HART® or Profibus communication (optional)

Industries

- Food & beverages
- Pharmaceutical
- Cosmetics

Typical applications

- Pasteurization / UHT
- Wort coppers
- Evaporator temperature measurement
- Storage tanks
- CIP tanks

Options and variants



TTP 200

- Sensor in compact housing
- HART® or Profibus PA
- Double Pt100 (optional)



TTP 300

- Sensor in miniature housing
- Double Pt100 (optional)
- Electrical connection M12



TTP 400

- Plug-in sensor allows flexible insertion depth
- HART® or Profibus PA
- Double Pt100 (optional)
- Installation via clamping ring



TTP 500

- Surface sensor
- Installation only with special adapter
- HART® or Profibus PA

Technical data

TTP 200, 300, 400 & 500

Measuring system

Functional principle	Temperature sensor
Sensor type	Pt100, Class A

Accuracy

1/1 DIN A	$+(0.15 + 0.002 * t) \text{ } ^\circ\text{C}$
Temperature drift	Typically: 0.003% per $^\circ\text{C}$; max.: 0.01% per $^\circ\text{C}$
Warm-up time	10 s

Operating conditions

Operating pressure	$\leq 16 \text{ bar} / 232 \text{ psi}$
Media temperature	Standard: $-50...+250^\circ\text{C} / -58...+482^\circ\text{F}$ Surface temperature sensor TTP 500: $-20...+150^\circ\text{C} / -4...+302^\circ\text{F}$
Ambient temperature	$-20...+85^\circ\text{C} / -4...+185^\circ\text{F}$
Relative humidity	$< 100\%$, condensing

Materials

Sensor	Stainless steel 1.4404 / AISI 316 L
Housing	Stainless steel 1.4301 / AISI 304
Wetted parts	Stainless steel 1.4404 / AISI 316 L
	Other materials upon request
Insulation material	PEEK (FDA approved)
M16 cable gland	Plastic
M12 plug	Brass, nickel coated

Process connections

Thread (TTP 200 & 500)	$G\frac{1}{2}$ " hygienic
Thread (TTP 300)	M12 hygienic
Center to center length (TTP 200, 300 & 400)	50; 100;150; 250 mm / 2; 4; 6; 8"
Sensor tips (TTP 200, 300 & 400)	6; 4; 3 mm / 0,2; 0,16; 0,1"
Clamp screw (TTP 400)	On request
Protection category (EN 60529)	IP67
Vibration	IEC 68-2-6, GL test2

Electrical connection (output)

Signal output	Pt100 resistor or 4...20 mA, 2-wire
Measuring range	Fixed or freely programmable
Time constant t_{50} in water	Ø6 mm / 0.2": 3 s
	Ø6 mm / 0.2": 18 s (TTP 500)
	Ø4 mm / 0.16": 2.5 s
	Ø3 mm / 0.1": 1.3 s
Accuracy	<0.1% of signal output
Power supply	8...35 VDC
Load equation	$R_L < (V_{AC} - 8)/23$ [kOhm]
Up/down scaling limits	23 mA / 3.5 mA ①
Damping	0...30 s ①
Protection	Reversed polarity protection

Approvals

Immunity (EMC)	EN 61000-6-2
Emissions (EMC)	EN 50081-1

Accessories

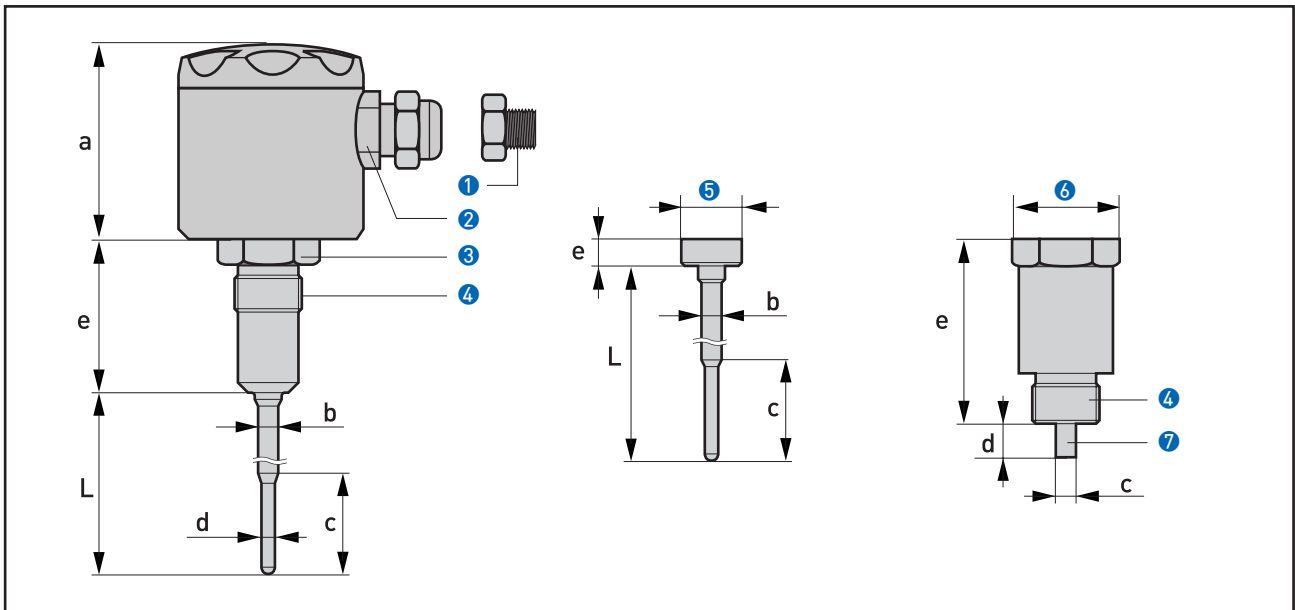
Hygienic adapter sleeves available for other process connections	Option ②
--	----------

① Configurable

② For additional information, see the additional data sheet "Hygienic accessories".

Dimensions

TTP 200, TTP 400 & TTP 500 (from left to right)



- ① M12 plug
- ② M16 cable gland
- ③ AF 22
- ④ G 1/2 A
- ⑤ Ø18
- ⑥ AF 27
- ⑦ Spring loaded sensor tip

Dimensions in mm

	a	b	c	d	L	e
TTP 200	58	Ø6	30	depending on Ø ①	②	46
TTP 400	58	Ø6	30	depending on Ø ①	②	8
TTP 500	-	-	Ø6	9	-	55

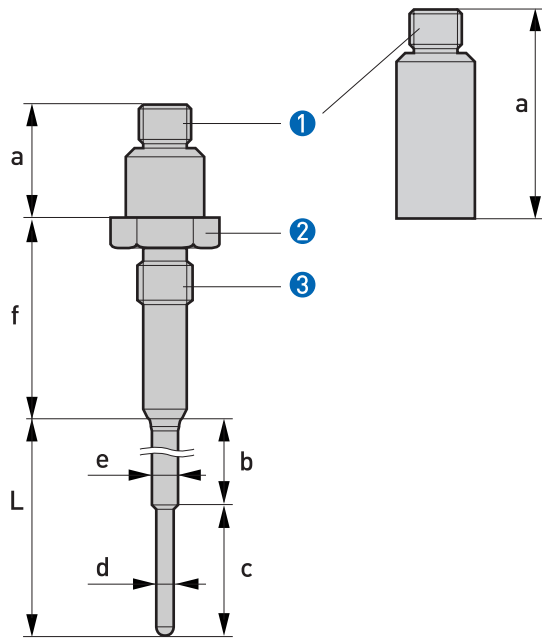
- ① Ø6 = standard; Ø4 or Ø3 = optional
- ② Ordered sensor tube length

Dimensions in inches

	a	b	c	d	L	e
TTP 200	2.28	Ø0.24	1.18	depending on Ø ①	②	1.81
TTP 400	2.28	Ø0.24	1.18	depending on Ø ①	②	0.31
TTP 500	-	-	Ø0.24	0.35	-	2.17

- ① Ø0.24 = standard; Ø0.16 or Ø0.13 = optional
- ② Ordered sensor tube length

TTP 300 with stainless steel housing $\varnothing 18$ mm without (left) & with integrated signal converter (right)



- ❶ M12 plug
- ❷ AF 22
- ❸ M12 male nipple

Dimensions in mm

	a	b	c	d	L	e	f
TTP 300 without transmitter	26	0...270	30	depending on \varnothing ❶	❷	$\varnothing 6$	46
TTP 300 with integrated transformer	48	0...270	30	depending on \varnothing ❶	❷	$\varnothing 6$	46

- ❶ $\varnothing 6$ = standard; $\varnothing 4$ or $\varnothing 3$ = optional
- ❷ Ordered sensor tube length

Dimensions in inches

	a	b	c	d	L	e	f
TTP 300 without transmitter	1.02	0...10.63	1.18	depending on \varnothing ❶	❷	$\varnothing 0.24$	1.81
TTP 300 with integrated transformer	1.89	0...10.63	1.18	depending on \varnothing ❶	❷	$\varnothing 0.24$	1.81

- ❶ $\varnothing 0.24$ = standard; $\varnothing 0.16$ or $\varnothing 0.13$ = optional
- ❷ Ordered sensor tube length

KROHNE Product Overview

- Electromagnetic flowmeters
- Variable area flowmeters
- Mass flowmeters
- Ultrasonic flowmeters
- Vortex flowmeters
- Flow controllers
- Level measuring instruments
- Pressure gauges
- Temperature measuring instruments
- Water solutions & analysis
- Oil and gas turnkey solutions

Addresses:

Germany

Northern sales office

KROHNE Messtechnik GmbH & Co. KG
Bremer Str. 133
D-21073 Hamburg
Phone: +49 (0)40 767 3340
Fax: +49 (0)40 767 33412
nord@krohne.de
ZIP code: 10000 - 29999, 49000 - 49999

Western and middle sales office

KROHNE Messtechnik GmbH & Co. KG
Ludwig-Krohne-Straße
D-47058 Duisburg
Phone: +49 (0)203 301 416
Fax: +49 (0)203 301 10416
west@krohne.de
ZIP code: 30000 - 34999, 37000 - 48000, 50000 - 53999, 57000 - 59999, 98000 - 99999

Southern sales office

KROHNE Messtechnik GmbH & Co. KG
Landsberger Str. 392
D-81241 Munich
Phone: +49 (0)89 121 5620
Fax: +49 (0)89 129 6190
sued@krohne.de
ZIP code: 0 - 99999, 80000 - 89999, 90000 - 97999

Southwestern sales office

KROHNE Messtechnik GmbH & Co. KG
Rüdesheimer Str. 40
D-65239 Hochheim/Main
Phone: +49 (0)6146 827 30
Fax: +49 (0)6146 827 312
rhein-main@krohne.de
ZIP code: 35000 - 36999, 54000 - 56999, 60000 - 79999

Instrumentation and control equipment catalog

TABLAR Messtechnik GmbH
Ludwig-Krohne-Straße 5
D-47058 Duisburg
Phone: +49 (0)2 03 305 880
Fax: +49 (0)2 03 305 8888
kontakt@tablar.de www.tablar.de

KROHNE sales companies

International

Australia

KROHNE Australia Pty Ltd
Quantum Business Park 10/287
Victoria Rd Rydalmere NSW 2116
Phone: +61 2 8846 1700
Fax: +61 2 8846 1755
krohne@krohne.com.au

Austria

KROHNE Gesellschaft m.b.H.
Modecenterstraße 14
A-1030 Vienna
Phone: +43 (0)1/203 45 32
Fax: +43 (0)1/203 45 32 99
info@krohne.at

Belgium

KROHNE Belgium N.V.
Brusselstraat 320
B-1702 Groot Bijgaarden
Phone: +32 (0)2 4 66 00 10
Fax: +32 (0)2 4 66 08 00
krohne@krohne.be

Brazil

KROHNE Conaut Controles
Automaticos Ltda.
Estrada Das Águas Espraiadas, 230
C.P. 56 06835 - 080 EMBU - SP
Phone: +55 (0)11-4785-2700
Fax: +55 (0)11 4785-2768
conaut@conaut.com.br

China

KROHNE Measurement Instruments
[Shanghai] Co. Ltd., [KMIC]
Room 1501
1033 Zhaoyang Road
Shanghai 200030
Phone: +86 21 6487 9611
Fax: +86 21 6438 7110
info@krohne-asia.com

Czech Republic

Krohne CZ, spol. s r.o.
Soběsická 156
63800 Brno
Phone: +420 (0)545.242.627
Fax: +420 (0)545.220.093
brno@krohne.cz

France

KROHNE S.A.S.
Les Ors BP 98
F-26103 ROMANS Cedex
Phone: +33 (0)4 75 05 44 00
Fax: +33 (0)4 75 05 00 48
info@krohne.fr

Great Britain

KROHNE Ltd.
Rutherford Drive
Park Farm Industrial Estate
Wellingborough
Northants NN8 6AE
Phone: +44 (0)19 33 408 500
Fax: +44 (0)19 33 408 501
info@krohne.co.uk

CIS

Kanex KROHNE Engineering AG
Business-Centre Planeta
Office 404 ul.
Marxistskaja 3
109147 Moscow/Russia
Phone: +7 (0)095 911 7165
Fax: +7 (0)095 742 8873
krohne@dol.ru

India

Krohne Marshall Ltd.
A-34/35, M.I.D.C. Industrial Area,
H-Block
Pimpri Poona 411018
Phone: +91 (0)202 744 2020
Fax: +91 (0)202 744 2020
pcui@vsnl.net

Iran

KROHNE Liaison Office
North Sohrvardi Ave. 26,
Sarmad St., Apt. #9
Tehran 15539
Phone: +9821 8874 5973
Fax: +9821 8850 1268
krohne@krohneiran.com

Italy

KROHNE Italia Srl.
Via V. Monti 75
I-20145 Milan
Phone: +39 02 4300 661
Fax: +39 02 4300 6666
info@krohne.it

Korea

KROHNE Korea
Room 508 Miwon Bldg 43
Yoido-Dong Youngdeungpo-Ku
Seoul, Korea
Phone: 00-82-2-782-1900
Fax: 00-82-2-780-1749
mail@krohne.co.kr

Netherlands

KROHNE Nederland B.V.
Kerkeplaat 14
NL-3313 LC Dordrecht
Phone: +31 (0)78 630 6200
Fax: +31 (0)78 630 6405
Service Direct: +31 (0)78 630 6222
info@krohne.nl

Norway

KROHNE Norway A.S.
Ekholtveien 114
NO-1521 Moss
Phone: +47 (0)69 264 860
Fax: +47 (0)69 267 333
postmaster@krohne.no

Poland

KROHNE Polska Sp.z.o.o.
ul. Stary Rynek Oliwski 8a
80-324 Gdansk
Phone: +48 (0)58 520 9211
Fax: +48 (0)58 520 9212
info@krohne.pl

Switzerland

KROHNE AG
Uferstr. 90
CH-4019 Basel
Phone: +41 (0)61 638 30 30
Fax: +41 (0)61 638 30 40
info@krohne.ch

Singapore

Tokyo Keiso - KROHNE (Singapore)
Pte. Ltd.
14, International Business Park,
Jurong East
Chiyoda Building, #01-01/02
Singapore 609922
Phone: (65) 6567 4548
Fax : (65) 6567 9874
tks@tokyokeiso-krohne.com.sg

Republic of South Africa

KROHNE Pty. Ltd.
Bushbuck Close
Corporate Park South
Midrand, Gauteng
P.O. Box 2069
Midrand, 1685
Tel.: +27 (0)11 314 1391
Fax: +27 (0)11 314 1681
midrand@krohne.co.za

Spain

I.I. KROHNE IBERIA, S.r.l.
Polígono Industrial Nilo
Calle Brasil, nº. 5
28806 Alcalá de Henares Madrid
Phone: +34 (0)91 883 2152
Fax: +34 (0)91 883 4854
krohne@krohne.es

USA

KROHNE, Inc.
7 Dearborn Road
Peabody, MA 01960
Phone: +1 (800) FLOWING
Phone: +1 (978) 535 6060 (in MA)
info@krohne.com

Representatives

Algeria
Argentina
Cameroon
Canada
Chile
Columbia
Croatia
Denmark
Ecuador
Egypt
Finland
Gabon
Ghana
Greece
Hong Kong
Hungary
Indonesia
Iran
Ireland
Israel
Ivory Coast
Japan
Jordan
Kuwait
Libya
Lithuania
Malaysia
Mauritius
Mexico
Morocco
New Zealand
Peru
Portugal
Romania
Saudi Arabia
Senegal
Slovakia
Slovenia
Sweden
Taiwan
Thailand
Tunisia
Turkey
Venezuela
Yugoslavia

Other countries

KROHNE Messtechnik GmbH & Co. KG
Ludwig-Krohne-Str. 5
D-47058 Duisburg
Phone: +49 (0)203 301 0
Fax: +49 (0)203 301 389
export@krohne.de