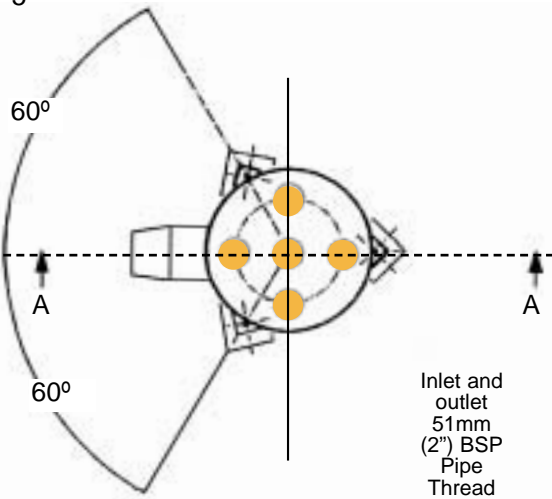


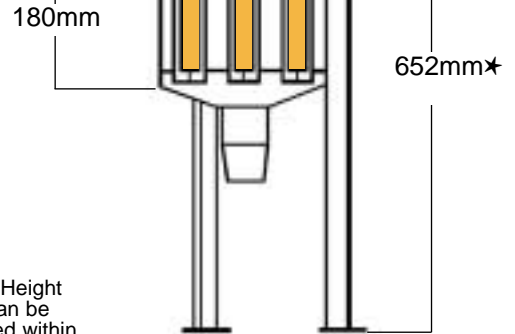
CERAMIC MAGNETIC TRAP

CMT 5



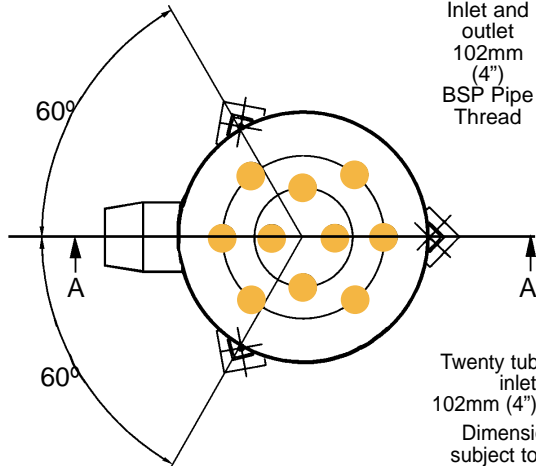
Inlet and outlet
51mm
(2") BSP
Pipe
Thread

Section A-A
ø219mm



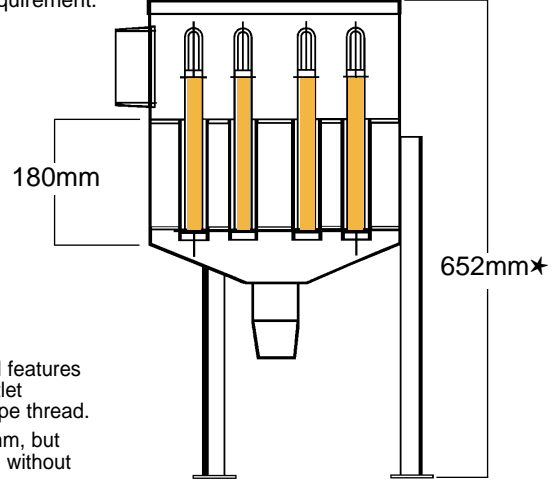
★ Height
can be
varied within
reason to
suit
customer's
requirement.

CMT 10



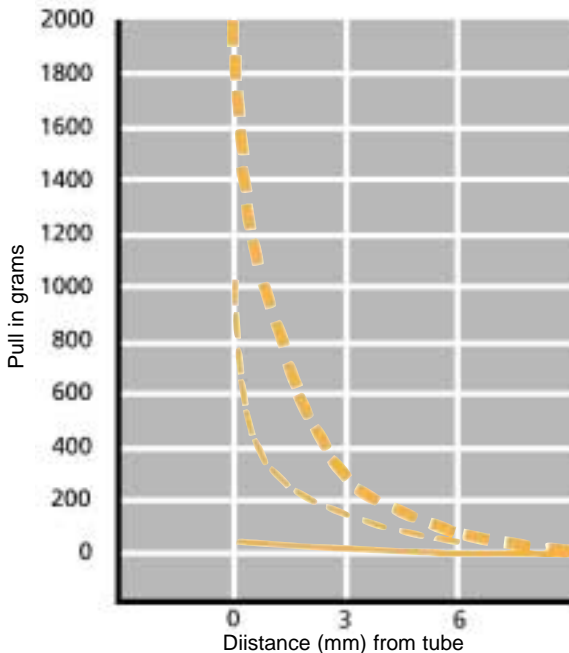
Inlet and outlet
102mm
(4")
BSP Pipe
Thread

Section A-A
ø356mm



Twenty tube model features
inlet and outlet
102mm (4") BSP Pipe thread.
Dimensions in mm, but
subject to change without
notice.

Tube Magnet Pull Analysis



Benefits

- By improving the removal of iron, the number of product rejects is reduced.
- The Ceramic Trap is proven to provide better iron separation than systems such as standard magnetic traps and small electromagnetic filters.
- Despite enhanced separation, the cost of the Ceramic trap is lower than standard systems.
- Simple and cheap to install.
- Easily removable magnetic tubes ensure that cleaning of ferrous contamination is quick and simple.
- Can be easily moved from one location to another.
- Option to modify design to increase Trap size and number of magnetic tubes for larger throughputs.

- Ferrite Tube 1500 Gauss
- - - Standard RE Tube 6000 Gauss
- Mega RE Tube 10500 Gauss

Pull tests undertaken using a 6mm diameter ball and spring balance.

Eriez Magnetics Europe Limited

European Manufacturing, Design and Test Laboratory Headquarters
Bedwas House Industrial Estate, Bedwas, Caerphilly CF83 8YG, UK

Telephone: 029 2086 8501 Fax: 029 2085 1314
Int Tel: +44 29 2086 8501 Int Fax: +44 29 2085 1314
E-mail: eriez@eriezeurope.co.uk
www.eriez.com

