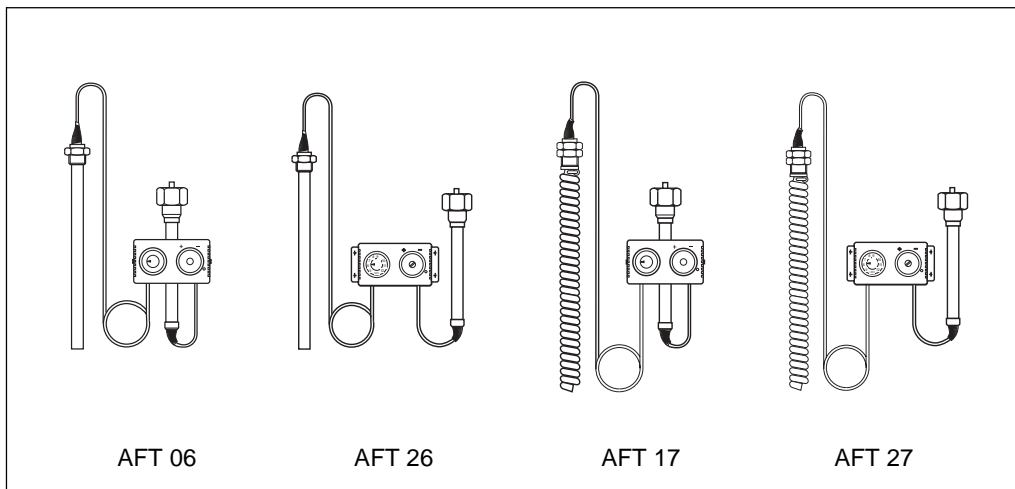


Description / Application



The thermostats operate according to the liquid expansion principle. For the AFT 06, AFT 17 designs, the setpoint adjuster is directly fitted to the actuator; for the AFT 17, AFT 27 designs, it is delivered separately. There are two sensor designs with different time constants.

Temperature control of domestic hot water systems with storage tanks and restriction of the return flow temperature in district heating transfer station are the main fields of application.

Combinations: temperature controller, safety temperature monitor, safety temperature limiter, see page 3, 4.

Technical data (thermostats, valves):

Nominal diameter: DN 15 - 125
 Nominal pressure: PN 16, 25, 40
 Type of connection: flange
 Medium: circulation water, water-glycol mixtures, steam
 Medium temp.: -20 to 350 °C
 Flow and return mounting

Type-tested according to DIN 3440-TR in connection with the following valves: VFG 2, VFG 21, VFGS 2, VFG 33 and VFG 34.

Ordering


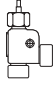
Thermostat AFT

	Type	Setpoint °C	Sensor / time constant *	Mounting	Code No.
	AFT 06	-20 ÷ 50	Sensor with immersion pocket bronze/ 120 s with immersion pocket	Setpoint adjuster at the actuator	065-4390
		20 ÷ 90			065-4391
		40 ÷ 110			065-4392
		60 ÷ 130			065-4393
		110 ÷ 180			065-4394
	AFT 26	-20 ÷ 50	with immersion pocket	Setpoint adjuster separate	065-4396
		20 ÷ 90			065-4397
		40 ÷ 110			065-4398
		60 ÷ 130			065-4399
	AFT 17	-20 ÷ 50	Spiral sensor/ 20 s without immersion pocket	Setpoint adjuster at the actuator	065-4400
		20 ÷ 90			065-4401
		40 ÷ 110			065-4402
		60 ÷ 130			065-4403
	AFT 27	-20 ÷ 50	without immersion pocket	Setpoint adjuster separate	065-4404
		20 ÷ 90			065-4405
		40 ÷ 110			065-4406
		60 ÷ 130			065-4407

* acc. to DIN 3440

Ordering (continuous)

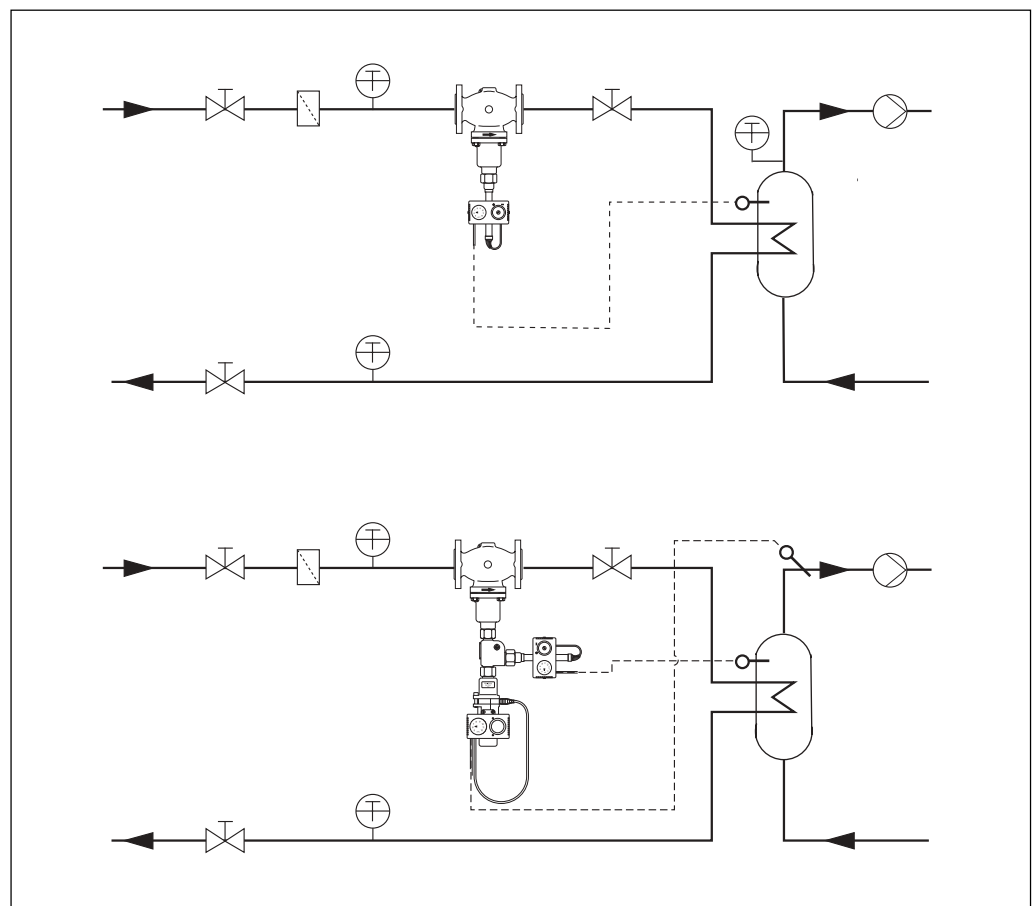
Accessories for thermostat

	Type designation	For thermostat	Material	Code No.
	Immersion pocket	AFT 06, AFT 26	Stainless steel mat. No. 1.4571	003G1400
	Combination piece KF2			003G1398

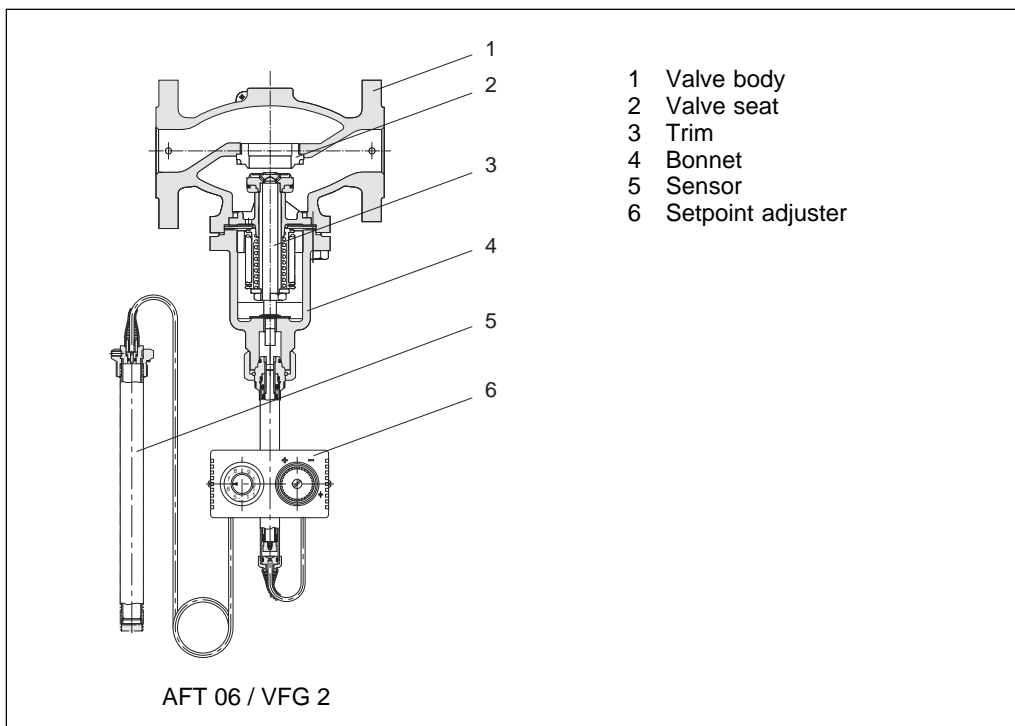
Technical data

Type	AFT 06	AFT 26	AFT 17	AFT 27
Setpoint range X_s (°C)	-20 ÷ 50, 20 ÷ 90, 40 ÷ 110, 60 ÷ 130, 60 ÷ 130			
Time constant $T^{1)}$ (s)	120 (with immersion pocket)		20	
Gain K_s (mm/°C)	0.8			
Max. adm. temp. at sensor	100 °C above the adjusted setpoint			
Perm. ambient temperature at the thermostat (°C)	0 - 70			
Nominal pressure: sensor, immersion pocket (PN)	40			
Temperature sensor	Smooth sensor Ø24 x 380		Spiral sensor Ø30 x 500	
Sensor medium	Silicon oil			
Sensor material	Brass, bronze		Cu spiral, nickel-plated	
Immersion pocket material	Bronze, nickel-plated		No immersion pocket	
	Stainless steel Mat. No. 1.4571			
Weight (kg)	3.0	3.5	3.5	3.8

Application examples



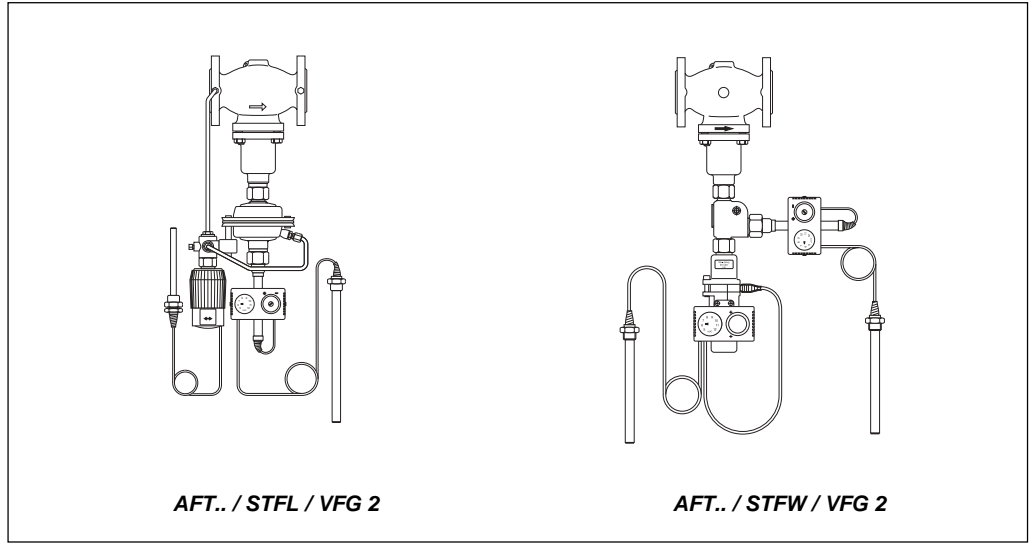
Construction



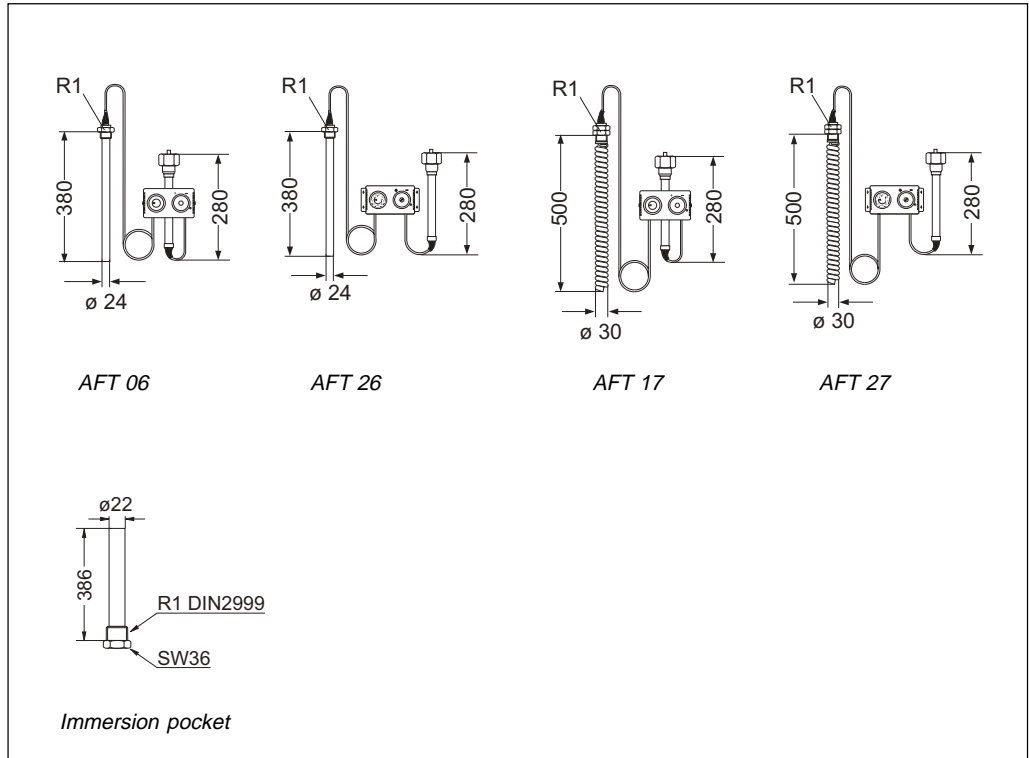
Valve - thermostat combinations

Valve type	VFG 2 VFG 21 VFG 25	VFU 2	VFGS 2	VFG 33 VFG 34 VFG 35 VFG 36
DN	15 - 125	15 - 125	15 - 125	25 - 125
Medium	Water		Steam	Water
Max. temp. (°C)	200 (VFG 2) 150 (VFG 21) 200 (VFG 25)	200	200 350 (with ZF4)	200 350 (with ZF4)
PN	16, 25, 40			25
Remark	NO valve	NC valve	Steam valve	3-way valve mixing valve diverting valve

Combinations



Dimensions



Note:
R1 conic male thread acc. to
 DIN 2999

Danfoss can accept no responsibility for possible errors in catalogues, brochures and other printed material. Danfoss reserves the right to alter its products without notice. This also applies to products already on order provided that such alterations can be made without subsequential changes being necessary in specifications already agreed. All trademarks in this material are property of the respective companies. Danfoss and the Danfoss logotype are trademarks of Danfoss A/S. All rights reserved.